

**Resolution 2025-R-63**

***A Resolution accepting the Bid for Various Materials for the I-20 Line Replacement and Authorizing the Mayor to Execute Documents Related Thereto***

**WHEREAS**, the invitation to bid for various materials for the I-20 line replacement was prepared in compliance with the provisions of the Alabama Bid Law; and

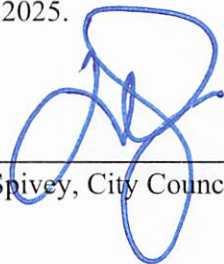
**WHEREAS**, the City of Irondale publicly opened and read aloud the Project bids that were submitted, as shown in the table below:

<b>COMPANY</b>	<b>TOTAL BID PRICE</b>
Ferguson Waterworks	\$87,567.61
Empire Pipe & Supply Company, Inc.	\$95,505.68
Southern Pipe & Supply Company, Inc.	\$109,034.86

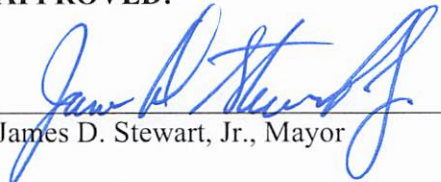
**THEREFORE BE IT RESOLVED** by the City Council of the City of Irondale, Alabama, in regular meeting duly assembled, a quorum being present as follows:

1. The bid submitted by Ferguson Waterworks for various materials for the I-20 line replacement in the total amount of Eighty-Seven Thousand Five Hundred Sixty-Seven and 61/100 Dollars (\$87,567.61) is hereby accepted as the lowest responsive bidder.
2. Mayor James D. Stewart, Jr., or his designee, is hereby authorized to execute any necessary documents with Ferguson Waterworks for such amount not to exceed \$87,567.61 to effectuate this bid acceptance.

**ADOPTED & APPROVED:** This 1st day of April, 2025.

  
\_\_\_\_\_  
David Spivey, City Council President

**APPROVED:**

  
\_\_\_\_\_  
James D. Stewart, Jr., Mayor

**ATTESTED:**

---

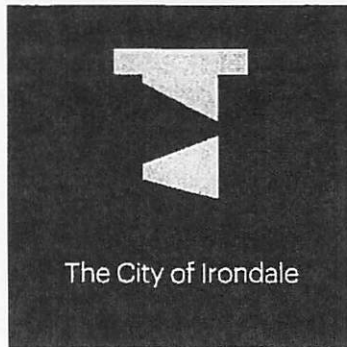
Leigh Ann Allison, City Clerk

**CERTIFICATION**

I, Leigh Ann Allison, the City Clerk of the City of Irondale, Alabama, hereby certify that the above to be a true and correct copy of a resolution adopted by the City Council of the City of Irondale at its regular meeting held on April 1, 2025, as the same appears in the minutes of record of said meeting.

---

Leigh Ann Allison, City Clerk



### ADVERTISEMENT FOR BIDS

Scaled proposals for **I-20 Material Bid** will be received by the City of Irondale, Alabama (Owner) in the Council Chambers at the City Hall in Irondale, Alabama at 101 20<sup>th</sup> Street South, Irondale, Alabama, until **2:30 p.m.**, the prevailing time on **March 31, 2025** or by mailing to 101 20<sup>th</sup> Street South, Irondale, Alabama 35210 at which time and place they will be publicly opened and read. The bid is comprised of the following principal items and approximate quantities:

Various Materials for the I-20 Line Replacement.

Specifications may be inspected and obtained at the Irondale Water Department. All Bidders must be responsible, meeting the criteria and requirements set forth in the specification documents. Prequalification of Bidders is not required.

This project is governed by competitive bid laws as contained in Title 41 of the Alabama Code. Bidders should be familiar with this code.

The Owner reserves the right to reject any or all proposals and to waive any informalities. No Bidder may withdraw his bid within sixty days from the date set for receiving of the same.

This project is governed by the applicable bid laws and practices of the state of Alabama.

By: Leigh Ann Allison

Title: City Clerk

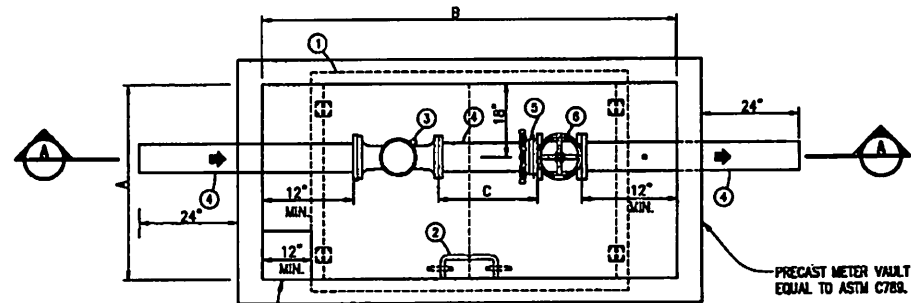
**IRONDALE 20 CROSSING AT EXIT 133**

ITEM #	DESCRIPTION	QUANTITY	UNIT PRICE	TOTAL	DELIVERY LEAD TIME
1.	12" D.I.MJ 22.5 Degree Bend	6	\$246.96	\$1,481.76	1-2 Weeks
2.	12" D.I.MJ Sleeve (Long)	6	\$260.68	\$1,564.08	1-2 Weeks
3.	12" D.I.MJ 45 Degree Bend	8	\$282.73	\$2,261.84	1-2 Weeks
4.	12"x12" D.I.MJ Tee	6	\$474.32	\$2,845.92	1-2 Weeks
5.	12"x6" D.I. Swivel Tee	4	\$330.13	\$1,320.52	1-2 Weeks
6.	12" D.I.MJ Plug	2	\$150.86	\$301.72	1-2 Weeks
7.	12" D.I. MJ R.S. AWWA C-515 Gate Valves	8	\$2,393.88	\$19,151.04	2-4 Weeks
8.	6" D.I. MJ R.S. AWWA C-515 Gate Valves	4	\$810.86	\$3,243.44	2-4 Weeks
9.	Cast Iron Valve Box and Lid Marked "WATER" (24"-30" Depth)	12	\$96.94	\$1,163.28	1-2 Weeks
10.	Precast Circular 18" Concrete Valve Donut	12	\$20.00	\$240.00	3-5 Days
11.	6" Fire Hydrant (4' Bury) (5.25" barrel) - M&H with Storz.	2	\$2,940.74	\$5,881.48	3-5 Weeks
12.	6" D.I. Anchor Coupling Swivel x Solid (24" Long)	4	\$269.01	\$1,076.04	1-2 Weeks
13.	6" D.I. Anchor Coupling Swivel x Solid (13" Long)	4	\$180.81	\$723.24	1-2 Weeks
14.	12" D.I. Anchor Coupling Swivel x Solid (13" Long)	12	\$609.56	\$7,314.72	1-2 Weeks
15.	12" D.I. Pipe Megalugs w/ Glands, Bolts, Gaskets	52	\$129.90	\$6,754.80	1-2 Weeks
16.	12" D.I. MJ Gasket and Bolt Pack	24	\$26.23	\$629.52	3-5 Days
17.	6" D.I. MJ Gasket and Bolt Pack	12	\$16.92	\$203.04	3-5 Days
18.	Casing Spacers for 12" D.I. and 18" Casing	132	\$75.51	\$9,967.32	1-3 Weeks
19.	End Seal for 18" Casing and 12" D.I. Pipe	2	\$40.31	\$80.62	1-3 Weeks
20.	Concrete Waterline Markers	12	\$23.72	\$284.64	1-2 Weeks
21.	8" Meter Vault (See attached Exhibit)	1	\$21,078.59	\$21,078.59	3-6 Weeks

**TOTAL      \$87,567.61**

**Notes:**

1. Casing spacers are based on 20' pipe lengths. If the pipe lengths supplied are less than 20', additional spacers will be required at the same lead time (3 spacers are required per joint).
2. Casing spacers and end seals shall be Cascade or CCI. Spacers shall have bottom runners only sized for 12" DI in 17.25" ID steel casing.
3. Gate valves shall be M&H.



12"x12" SUMP IN FLOOR WITH HOLE  
CORED FOR 6" DRAIN PIPE.

PLAN

	A	B	C
3" METER	4'-0" MIN.	6'-6" MIN.	9" MIN.
4" METER	4'-0" MIN.	7'-0" MIN.	1'-0" MIN.
6" METER	6'-0" MIN.	8'-0" MIN.	3'-0" MIN.

NOTE: TORI SEAL FLANGE  
GASKETS ONLY

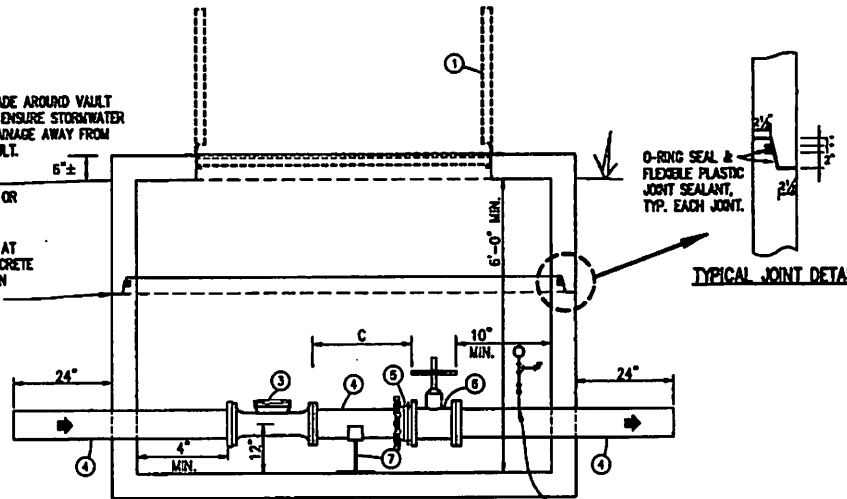
ALL PIPING, VALVES, FITTINGS,  
AND APPURTENANCES SHALL  
HAVE A WORKING PRESSURE  
RATING OF 250 PSI OR GREATER

IF JOINT REQUIRED FOR CONSTRUCTION OR  
SHIPPING REASONS, COORDINATE JOINT  
LOCATION PRIOR TO FABRICATION TO  
PROVIDE 6" MINIMUM CONCRETE COVER AT  
PIPE OPENINGS. PROVIDE GREATER CONCRETE  
COVER IF REQUIRED BY PRECAST DESIGN  
STANDARDS AND/OR FIELD CONDITIONS.

GRADE AROUND VAULT  
TO ENSURE STORMWATER  
DRAINAGE AWAY FROM  
VAULT.

O-RING SEAL &  
FLEXIBLE PLASTIC  
JOINT SEALANT,  
TYP. EACH JOINT.

TYPICAL JOINT DETAIL



1" IP TAP WITH 3" S.S. NEPPLE, S.S. VALVE,  
3" S.S. NEPPLE, S.S. TEE, LIQUID FILLED  
GAUGE RATED FOR 200 PSI, 3" NEPPLE, S.S.  
90° BEND, AND S.S. PLUG. (ALL 1" FITTINGS)

SECTION A-A

3", 4", & 8" METER VAULT

MATERIAL LIST

- ① 8"x8" PREFABRICATED DOUBLE LEAF ALUMINUM "LOCK OPEN" ACCESS HATCH WITH PAD-LOCKABLE LATCH, ALL HARDWARE TO BE S.S. HATCH SHALL HAVE 300 PSF RATING. HATCH TO BE S-SERIES BY HALLIDAY PRODUCTS OR EQUAL.
- ② LITTLE GIANT LADDER MODEL M17 2.0 WITH LED LEVELERS
- ③ 6" STAINLESS STEEL MASTER OCTAVE WITH 4/20 MODULE
- ④ DN PIPE, FLG = PE, LENGTH AS REQ'D, SHOP PRIMED
- ⑤ FLANGE ADAPTER, STAR 3200 SERIES W/DIP MEGA-LUGS
- ⑥ GATE VALVE, M&H
- ⑦ PIPE SUPPORT, B-LINE B3088 STAND AND B3095 SUPPORT